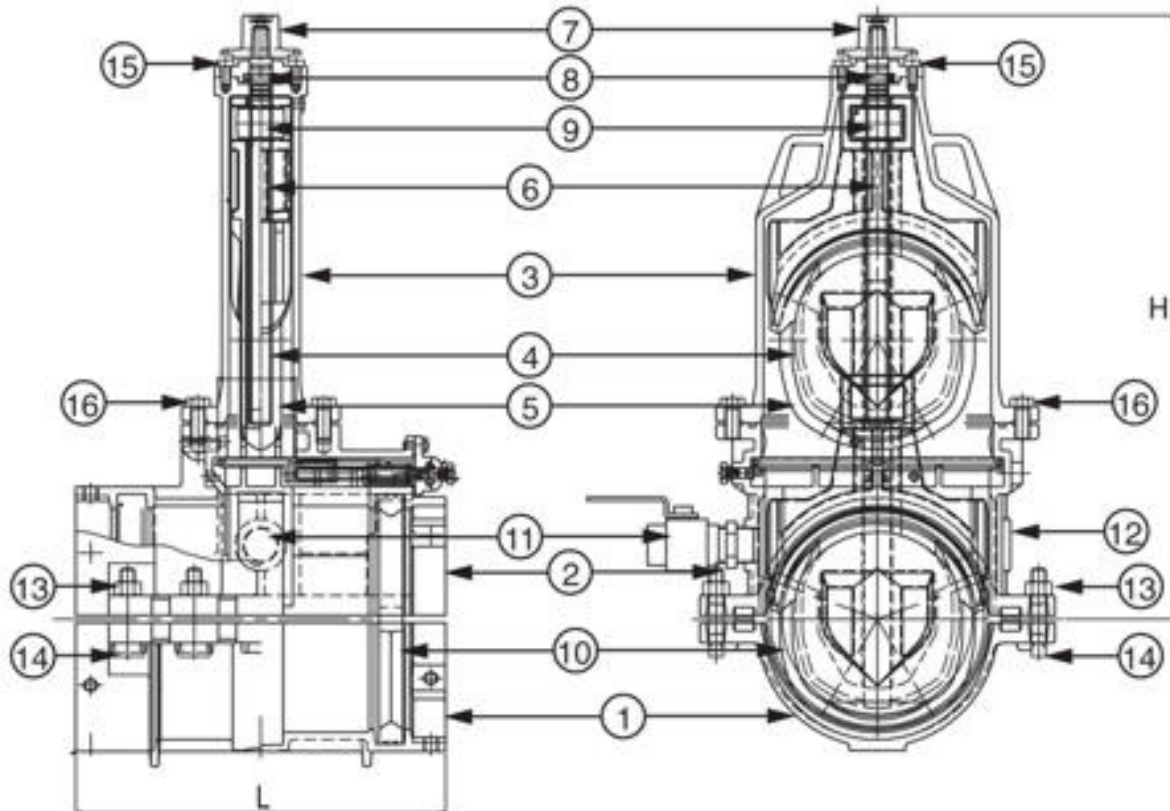


# EZ VALVE CUT SHEET WITH SIZING



Item No.	Description	Material
1	Bottom Half of Body	DUCTILE IRON
2	Upper Half of Body	DUCTILE IRON
3	Bonnet Body	DUCTILE IRON
4	Gate	DUCTILE IRON
5	Gate Rubber	EPDM
6	Stem (Feed Srew)	STAINLESS STEEL
7	Wrench Nut	DUCTILE IRON
8	Set Collar	BRASS
9	Stem Nut	BRONZE
10	Gasket	EPDM
11	Chip Flushing Port	
12	EM Cutting Port	
13	Sacrificial Anode Bolts/ Nuts	DUCTILE IRON
14	Sacrificial Anodes	Zinc
15	O-Rings	BUNA-N
16	Bonnet Bolts	STAINLESS STEEL



Rated at 250 PSI Meets AWWA C-509

SIZE	HEIGHT (H)	LENGTH (L)
4"	13"	17 3/4"
6"	17"	17 3/4"
8"	21"	17 3/4"
10"	25"	19 3/4"
12"	30"	19 3/4"